

CAPITAL

SLIDING DOORS

Endless possibilities across the range



CAPITAL
Glass & Aluminium

Sliding Door Range

No matter what the context or purpose may be, Capital has a **sliding door** to suit. Our platform offer caters for all types of projects from renovations to standard design homes to unique, high-end homes or commercial applications.

Essential Sliding Doors

'Essential' sliding doors are our standard sliding door product. Designed with aesthetic, lifestyle and performance features firmly in mind, they're a practical way to maximise views and natural light in your home.

Signature Sliding Doors

Our 'Signature' sliding doors carefully tread the balance between practicality and style. With standard, oversize options and innovative corner and cavity configurations for indoor/outdoor living, you're sure to find a door that suits your home.

Commercial Sliding Doors

Our 'Commercial' collection features heavy-duty, easy-clean, stylish sliding doors available in a range of sizes, including oversize doors towering up to 3.1 metres in height. If you can't find the perfect sliding door for your needs and context, chances are we can help you through our commercial sliding door range.

Performance Parameters

| | Essential | Signature | Commercial |
|---|---------------|----------------|--------------------------------|
| Frame sizes | 80mm 140mm | 100mm 166mm | 100mm / 150mm 200mm / 250mm |
| Maximum door height | 2450mm | 2700mm | 3100mm |
| Maximum door width | 6246mm | 6246mm | 12000mm |
| Maximum panel width | 1350mm | 1350mm | 1800mm |
| Maximum panel weight | 50kg | 100kg | 160kg |
| Maximum water rating | 300Pa | 600Pa | 650Pa |
| Maximum wind rating | 3300Pa ULS | 4500Pa ULS | 6000Pa ULS |
| Maximum glass thickness (single glazed) | 6.76mm | 12.76mm | 10.76mm |
| Maximum glass thickness (double glazed) | N/A | 20mm | 28mm |
| Maximum acoustic rating | Rw32 | Rw44 | Rw34 |
| Maximum bushfire rating | BAL 40 | BAL 40 | BAL 40 |
| Lowest U-value (single glazed) | 3.5 | 4.2 | 4.5 |
| Lowest U-value (double glazed) | N/A | 2.7 | 3.1 |

Note: Performance figures are independent of each other and subject to conditions. They do not apply to cavity door configurations. Contact a Capital Glass & Aluminium representative to discuss your specific project requirements.

Features & Benefits

Essential . Signature . Commercial

Lifestyle & Comfort

- Ergonomic, easy-to-use lockable handle
- Easy-to-clean wide track that can fit most vacuum heads
- Safety-first design with no exposed sharp edges
- Perfectly suited for indoor-outdoor entertainment areas
- Night latch locks the window preventing someone from opening it from the outside without a key

Optional

- Wide range of screening solutions available
- Keys can be 'keyed alike' with Capital's doors for convenience*
- Easy access for wheelchairs when you choose the low profile sill**

* Excludes cam handles, vent locks and patio bolts

** Not available in cavity and corner configurations

Design & Aesthetic

- Stylish, modern handle
- Available in a range of lifestyle configurations
- Curtain-friendly design protects door furnishings from sharp edges
- Architectural symmetry with other Capital windows and doors

Optional

- Create a Hamptons look with colonial bars

Performance & Reliability

- Fully compliant with relevant Australian Standards
- Mortice lock fitted as a standard feature for superior security
- Effortless operation with high-performance, adjustable rollers
- Protection against the elements with high-quality door seals

Optional

- Reduce outside noise by incorporating our Sound Smart system
- Bushfire rated – certified up to BAL 40
- Suitable for cyclonic regions

+ Premium Features

Signature & Commercial Doors Only

- Save on energy bills with optional double glazing
- Architectural handle options available
- Luxury corner and cavity door configurations available

Commercial Doors only

- Doors up to 3.1 metres in height
- Door panels can be as wide as 1.8 metres



Smart Solutions

High Performance Windows and Doors

Essential . Signature . Commercial

Building in today's environment demands the need to satisfy energy efficiency, acoustics, security and bushfire requirements. Capital's **Smart Solutions** range is designed to augment all Essential, Signature and Commercial products to satisfy these needs.

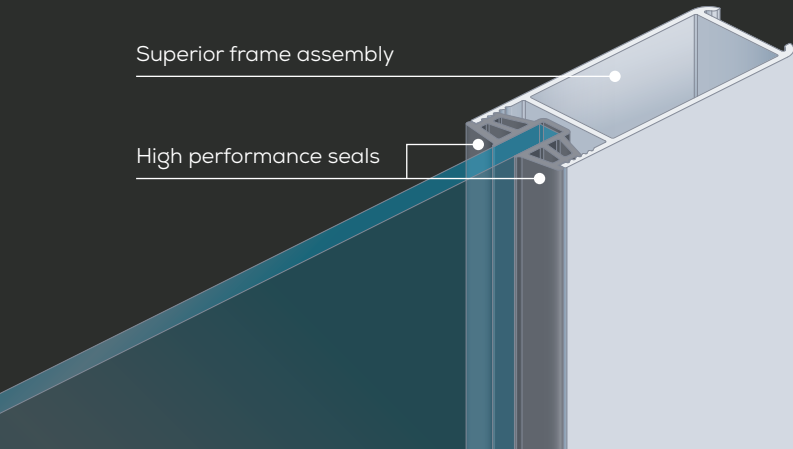
Some of the possible benefits

- Cooler in Summer
- Warmer in Winter
- Enhanced UV protection
- Reduce outside noise
- Save on energy bills
- Added security

Performance comes from more than just glass

Superior frame assembly

High performance seals



As the market leader in Australia for aluminium and glass building products, Capital have developed its range of **Smart Solutions** to meet all high performance requirements.

+ Premium Smart Solution

Double Glazed*

Year-round Comfort

- Acts as extra insulation by limiting the flow of hot or cold air in and out of your home
- Helps maintain comfortable temperatures inside across all seasons

Energy Reduction

- Reduce reliance on air conditioning and heaters – lowering electricity bills
- Consume less energy for a smaller carbon footprint

Noise Reduction

- Minimise outside noise – creating a quiet haven inside your home

Safety

- Extra strong resistance to unwanted attacks by intruders

* Not available in Essential

Climate Control Solutions

Solar Comfort™

Year-round Comfort

- Designed to reflect heat away in summer and keep heat inside during winter
- Enjoy the ideal temperature in your home all year round – cooler in summer, warmer in winter

Energy Reduction

- Keep power bills down by reducing the need for additional heating and cooling
- Help save the environment by consuming less energy

Solar Block™

Cooler in Summer

- Minimise the flow of heat into your home – enjoy summer without feeling the heat
- Acts like a pair of sunglasses for your home, reducing glare by up to 78%

Energy Reduction

- Save on electricity bills by reducing the need for air conditioners
- Minimise your carbon footprint by consuming less energy

Specialty Solutions

Safety*

Safety

- Effective, affordable barrier against forced entry
- Enjoy peace of mind knowing that your home has extra protection

Sound Smart™

Noise Reduction

- Reduce unwanted external noise – nearby traffic or noisy neighbours,

FlameShield™

Superior Bushfire Protection

- Meets Australian Standard AS3959:2009, which is aimed to reduce the risk of loss of life and property in bushfire prone areas

CORNER SLIDING DOORS

Signature . Commercial



Hardware

The hardware displayed on this page are a guide only. Capital recommend the viewing of an actual hardware product prior to order.

| | Black Matt | Black Gloss | White | Ultra Silver | Stainless Steel Finish |
|------------|------------|-------------|-------|--------------|------------------------|
| ESSENTIAL | . | . | . | . | . |
| SIGNATURE | . | . | . | . | . |
| COMMERCIAL | . | . | . | . | . |

ESSENTIAL

SIGNATURE

COMMERCIAL

Standard internal handle

Standard external handle

Low profile external handle



Lever locks the door without a key

Mortise lock for improved security

Depth of low profile handle
19mm

CAVITY SLIDING DOORS



55 Supply Road, Bentley Park, QLD 4869

www.capitalglassandaluminium.com.au

LICENSED MANUFACTURER OF



WINDOWS & DOORS

SECURITY SCREENS

SHOWER SCREENS

SLIDING WARDROBE DOORS

GLASS SPLASHBACKS

Product availability, pricing, features, options, sizes, configurations and performance are subject to regional variations, design requirements and building codes.

Images are for illustration purposes only and may not accurately represent the product. Capital Glass & Aluminium reserves the right to change, alter or delete any aspect of this product without notice.

We recommend visiting the Capital showroom before ordering to view colour swatches, glass samples and actual products.

© Capital Glass and Aluminium . v1 Nov 2022